

American Standard



ACCESSORIES

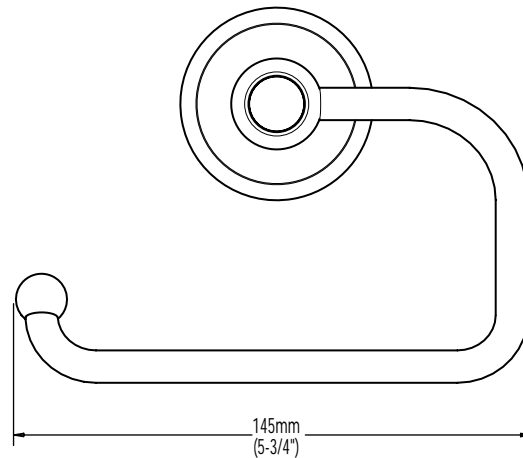
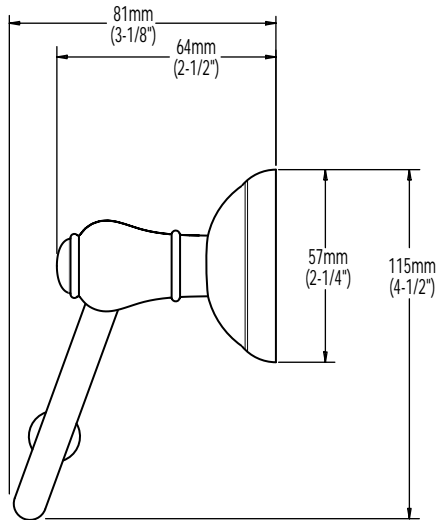
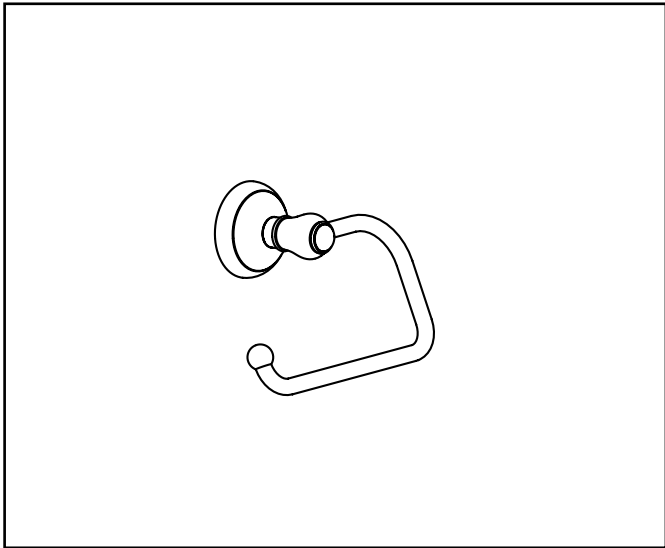
TOILET PAPER HOLDER

MODEL NUMBER:

☐ 6723 Toilet Paper Holder

Available Finishes

	Polished Chrome (no finish suffix needed)
S	Satin



PRODUCT FEATURES:

Heavy duty construction: Highest quality materials for durability & long life.

Concealed Mounting: No exposed set screws.

Materials of Construction: Body and escutcheon - brass.
Index button - porcelain.

Easy to Install

Choice of Finishes: To match Chrome and Satin finishes.

SUGGESTED SPECIFICATION:

Toilet Paper Holder shall feature heavy - duty construction. Shall feature concealed mounting with no exposed set screws. Toilet Paper Holder shall be American Standard Model # 6723_.

